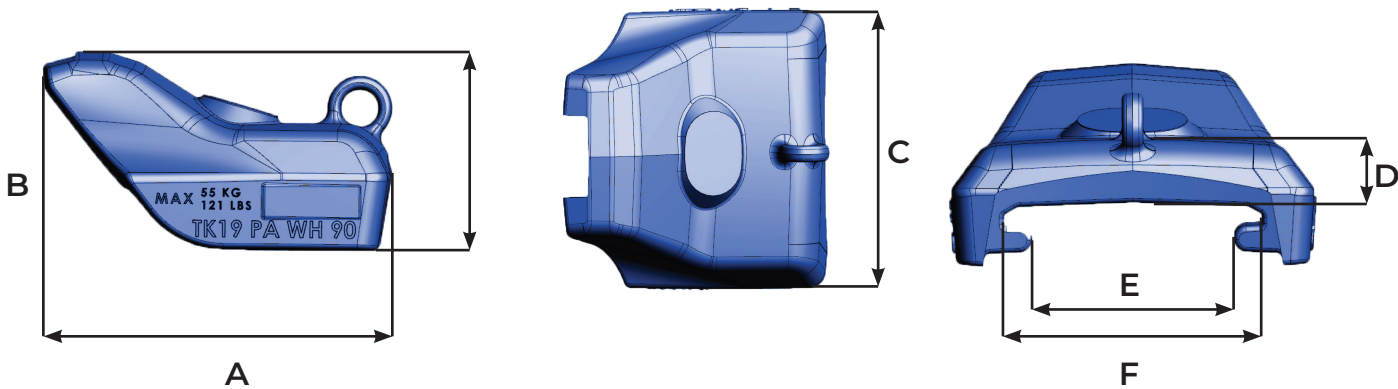
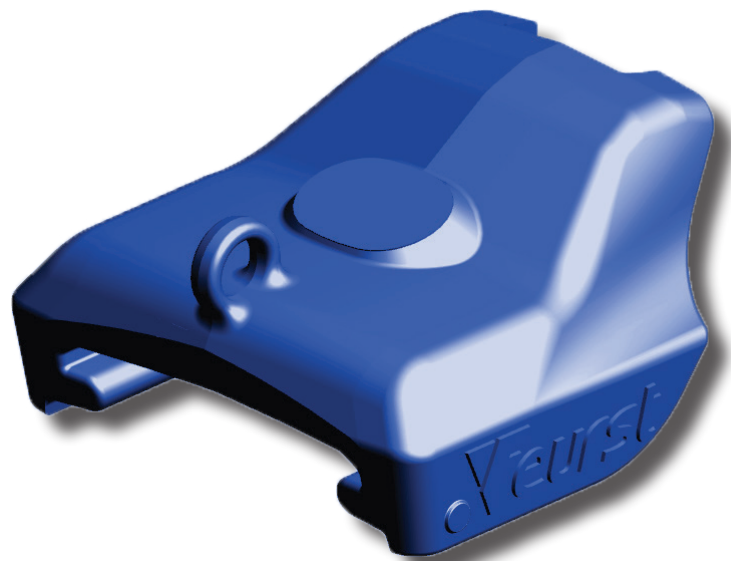




Bucket equipment  
for quarrying & mining

# TKN19 PA WH90



Référence Part number	Poids Weight Kg/Lbs	A mm/in	B mm/in	C mm/in	C mm/in	E mm/in	F mm/in
TKN19 PA WH90	70 154.32	335 13.19	210 8.27	336 13.23	58 2.28	190 7.48	243 9.57

