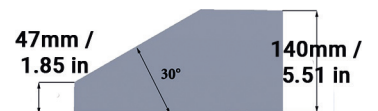
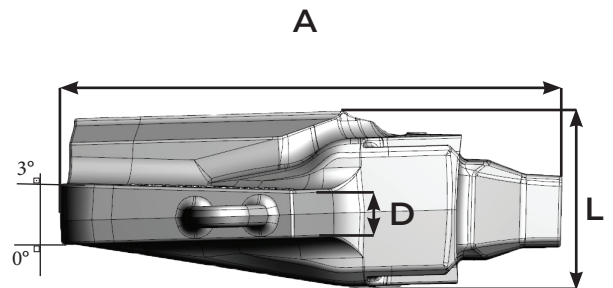
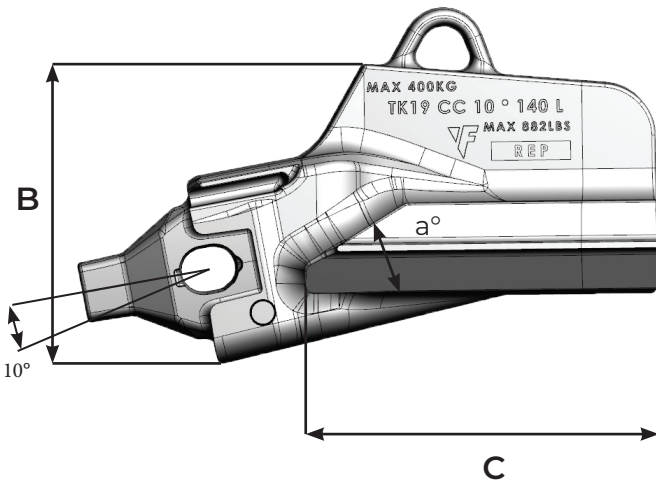




Bucket equipment  
for quarrying & mining

# TKN19 CC10 140L



Référence Part number	Poids Weight Kg/Lbs	A mm/in	B mm/in	C mm/in	D mm/in	L mm/in	a°
TKN19 CC10 140 R	380 837.76	931 36.65	566 22.28	558 21.97	90 3.54	277 10.91	30°

