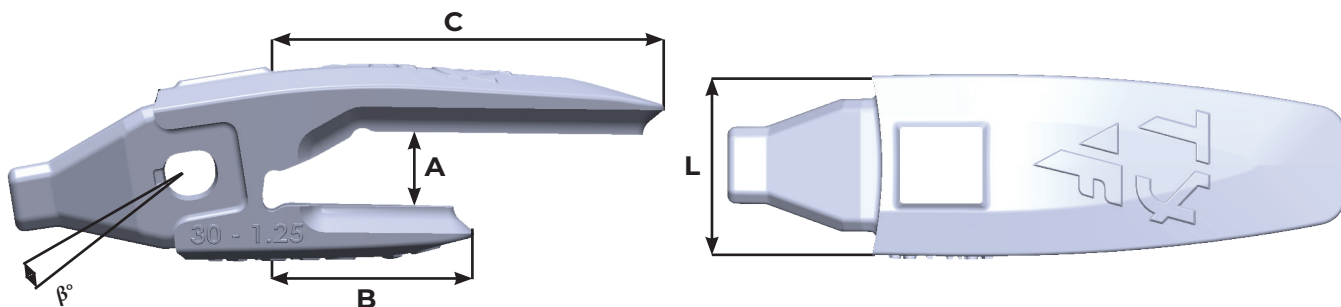




TURNKEY®
GRIZZLY

Bucket equipment
for construction

T4 1530 10°



Référence Part number	Poids Weight Kg/Lbs	A mm/in	B mm/in	C mm/in	L mm/in	a°	β°
T4 1530 10°	5.09 11.22	31 1.22	121 4.76	202 7.95	83 3.27	22.5°-30°	10°

