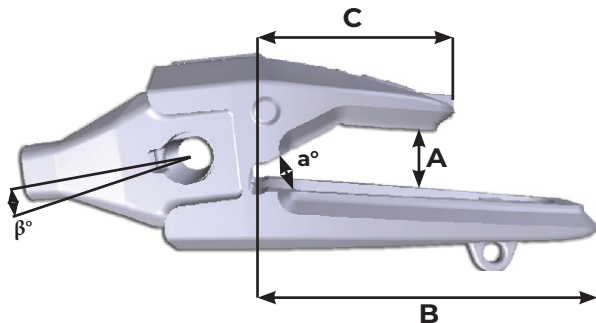
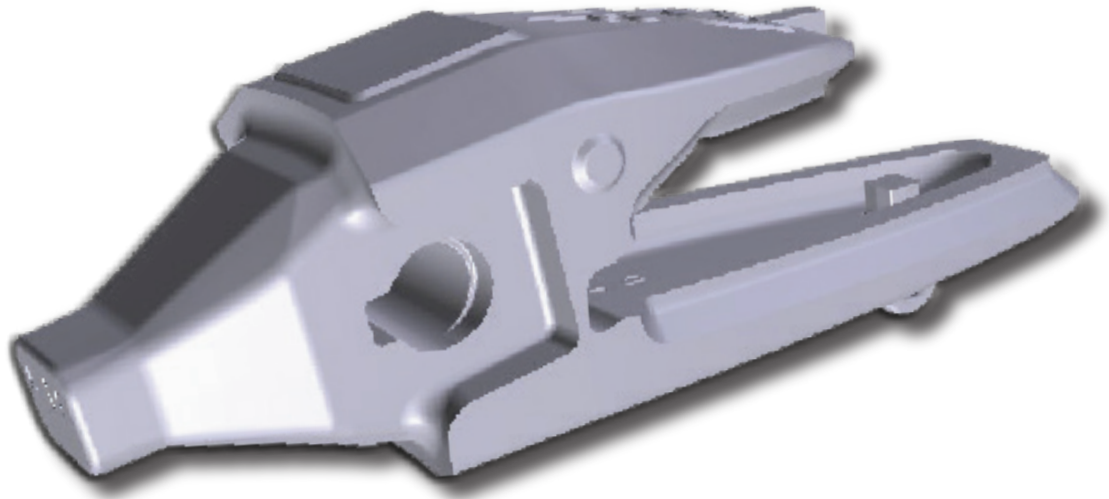




TURNKEY[®]
GRIZZLY

Bucket equipment
for construction

T9 1350 10°



Référence Part number	Poids Weight Kg/Lbs	A mm/in	B mm/in	C mm/in	L mm/in	a°	β°
T9 1350 10°	23.49 50.70	51 2.01	284 11.38	162 6.37	138 5.43	30°	10°

