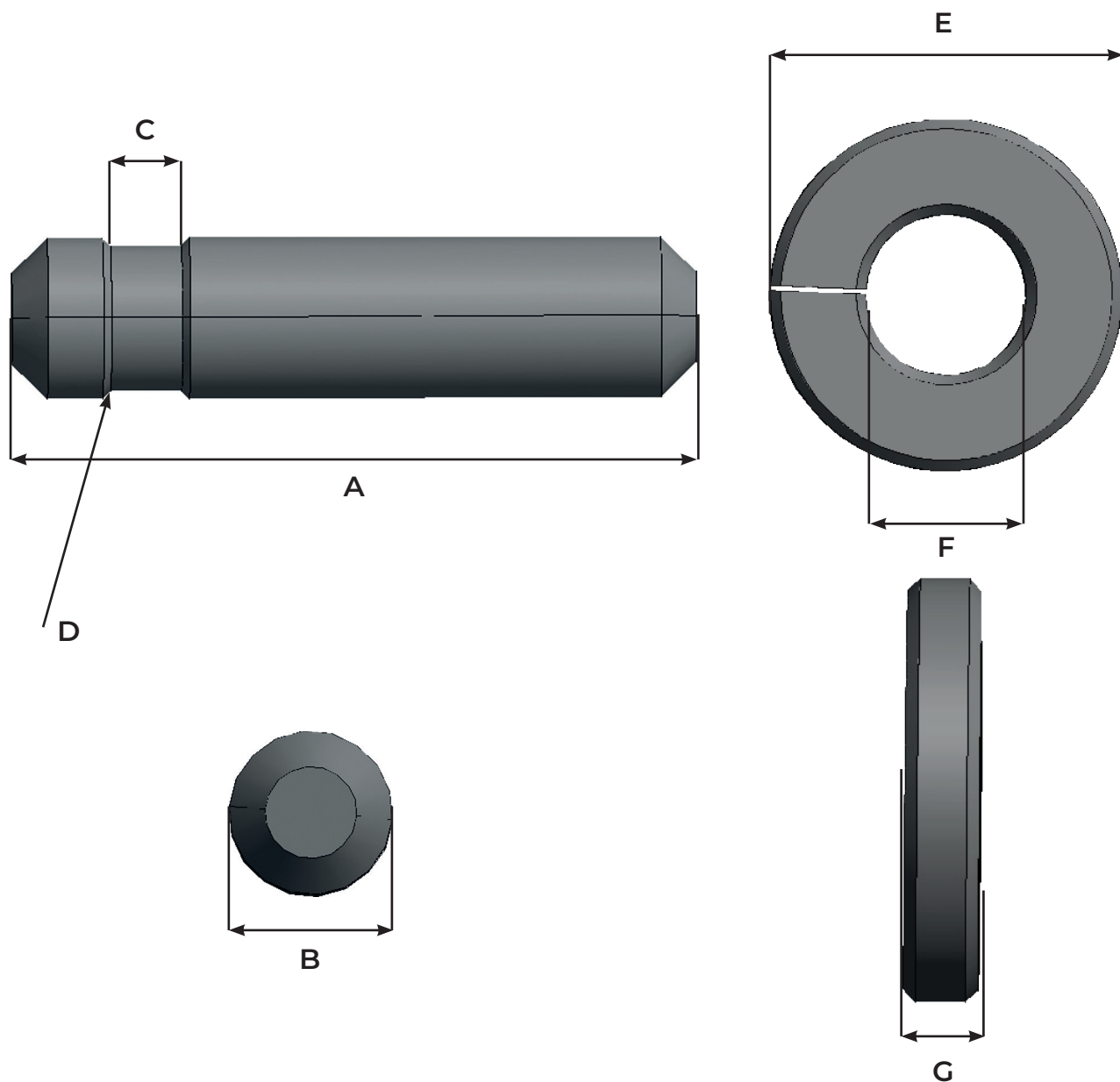


# 125-0800 CL + 125-0800 RD



Référence Part number	Poids Weight Kg/Lbs	A mm/in	B mm/in	C mm/in	D mm/in	E mm/in	F mm/in	G mm/in
125-0800 CL + 125-0800 RD	1.075 1.76	135 5.31	32 1.26	17 0.67	2 0.08	68 3.67	31 1.22	12 0.47