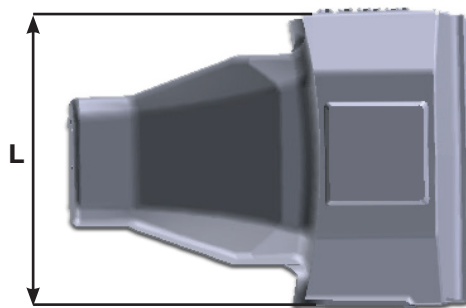
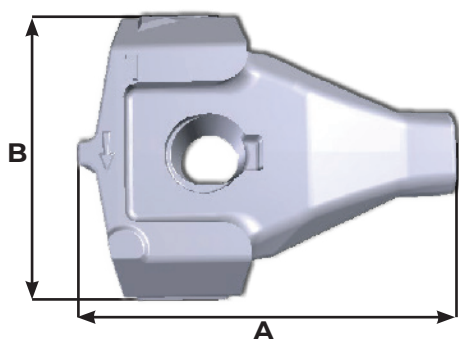




TURNKEY[®]
GRIZZLY

Bucket equipment
for construction

T9 NS



Référence Part number	Poids Weight Kg/Lbs	A mm/in	B mm/in	L mm/in
T9 NS	13.63 28.66	193 7.59	140 5.51	138 5.43

