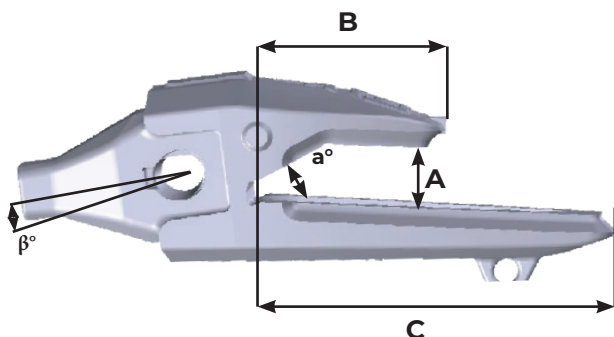




TURNKEY[®]
GRIZZLY

Bucket equipment
for construction

T8 1340 10°



Référence Part number	Poids Weight Kg/Lbs	A mm/in	B mm/in	C mm/in	L mm/in	a°	β°
T8 1340 10°	17 37.47	41 1.61	130 5.11	260 10.23	121 4.76	30°	10°

