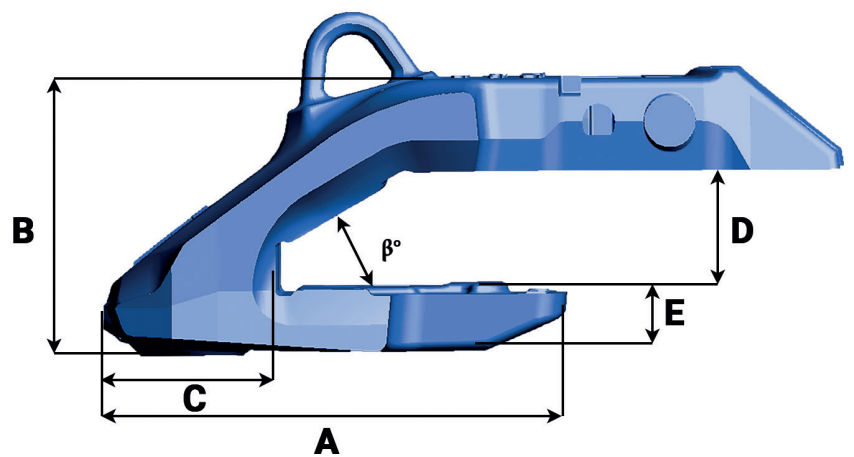
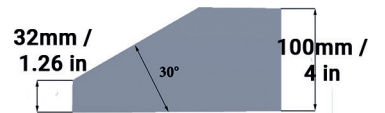




Bucket equipment  
for quarrying & mining

# TKSH EXC 345 100 C



Référence Part number	Poids Weight Kg/Lbs	L mm/in	A mm/in	B mm/in	C mm/in	D mm/in	E mm/in	$\beta^\circ$
TKSH EXC 345 100 C	109 240.30	345 13.58	400 15.75	236 9.29	137 5.39	103 4.05	56 2.20	30°

