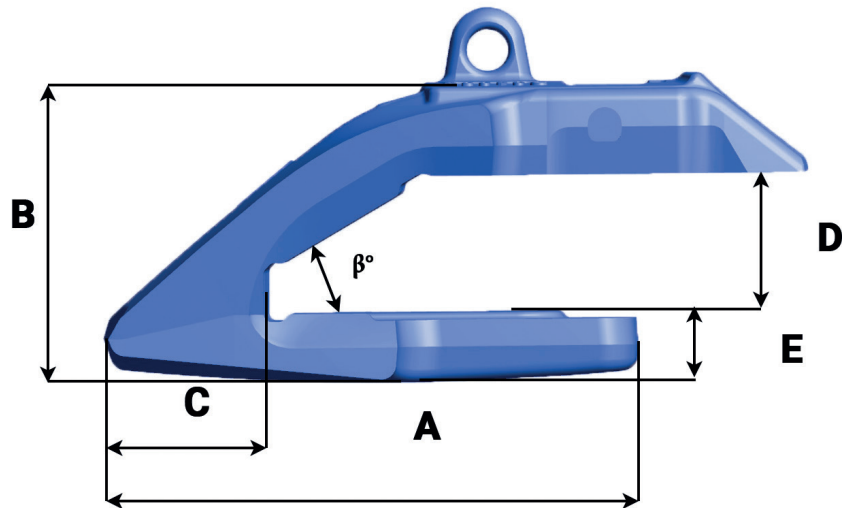
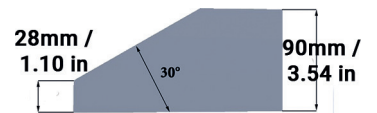




Bucket equipment
for quarrying & mining

TKSH EXC 280 90 C



Référence Part number	Poids Weight Kg/Lbs	L mm/in	A mm/in	B mm/in	C mm/in	D mm/in	E mm/in	β°
TKSH EXC 280 90 C	54.5 120.15	280 11.02	350 13.78	200 7.87	105 4.13	95 3.74	44 1.73	30°

