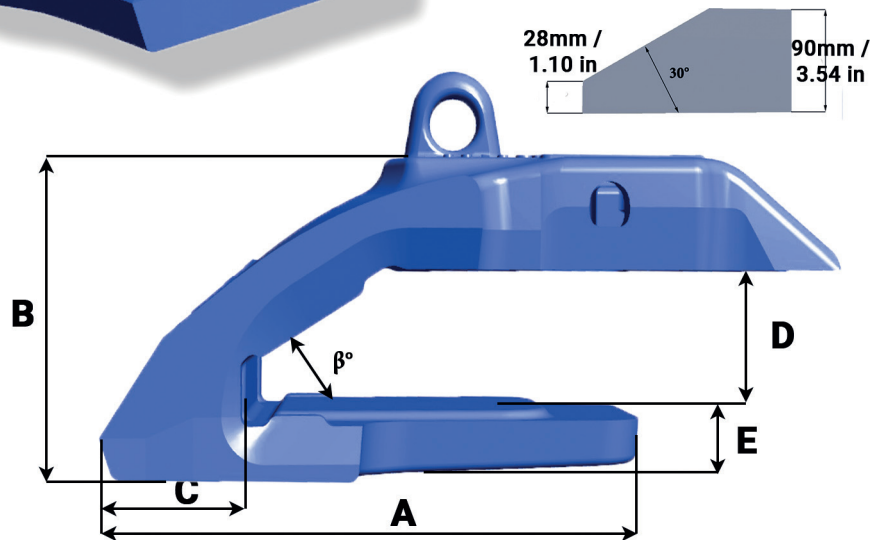
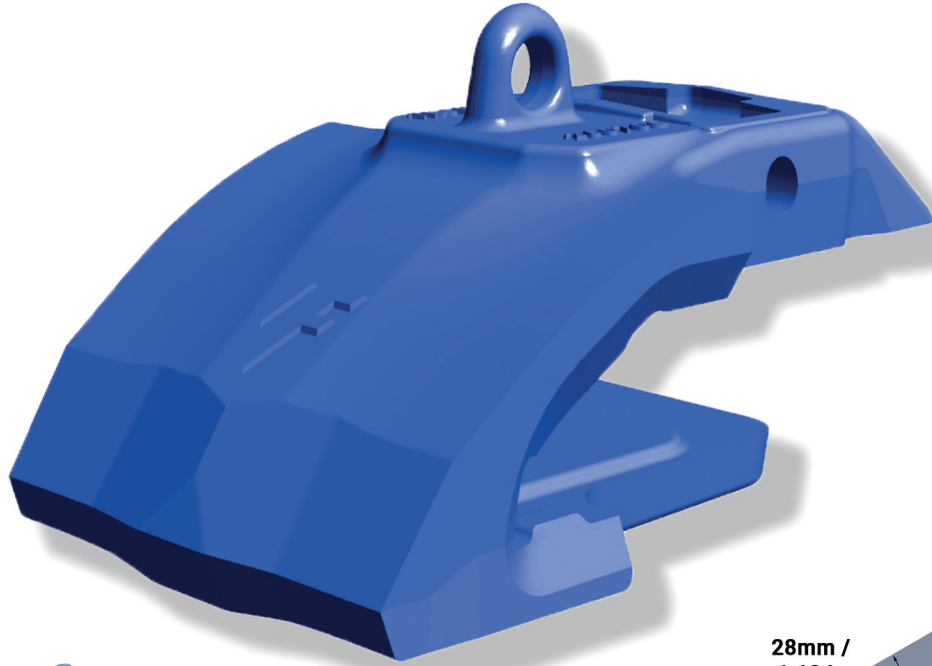




TURNKEY®
RHINO

Bucket equipment
for quarrying & mining

TKSH EXC 245 90 C



Référence Part number	Poids Weight Kg/Lbs	L mm/in	A mm/in	B mm/in	C mm/in	D mm/in	E mm/in	β°
TKSH EXC 245 90 C	49.66 109.48	245 9.64	358 14.09	200 7.87	106 4.17	93 3.66	47 1.85	30°

