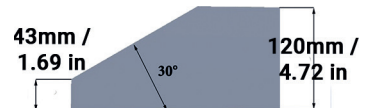
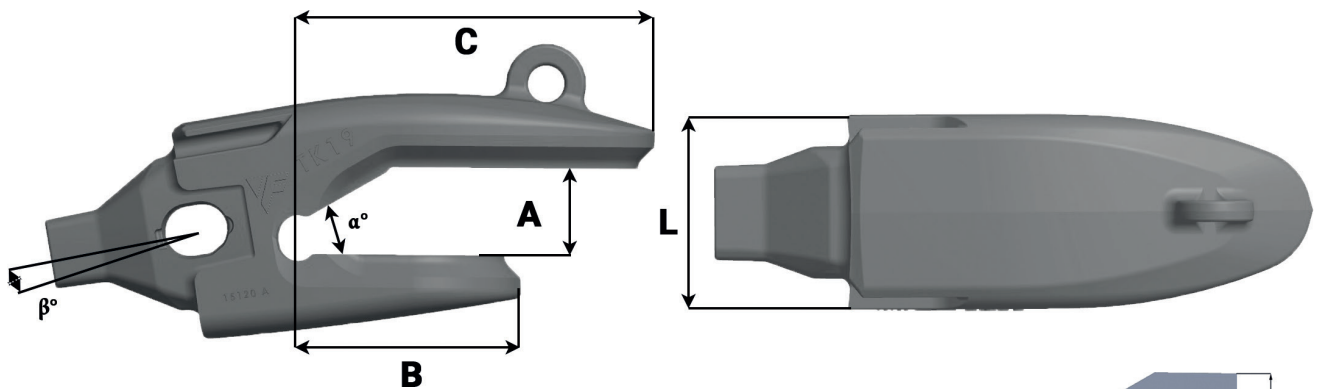
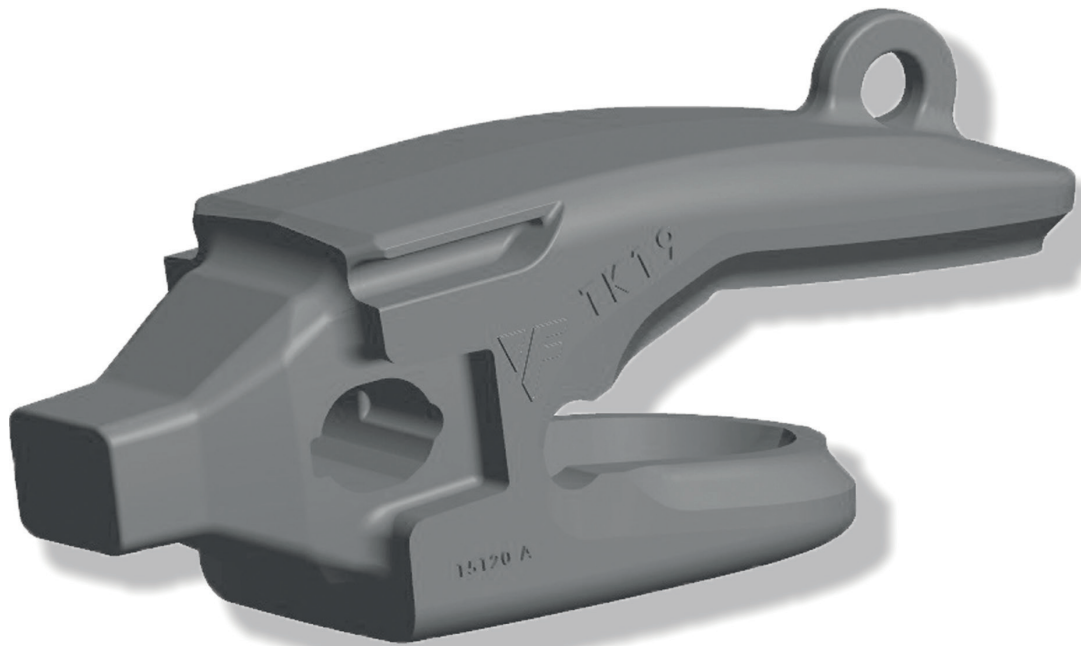




Bucket equipment
for quarrying & mining

TKN19 15120-A10°



Référence Part number	Poids Weight Kg/Lbs	A mm/in	B mm/in	C mm/in	L mm/in	α°	β°
TKN19 15120-A10°	188 414.47	124 4.88	300 11.81	510 20.08	272 10.71	30°	10°

