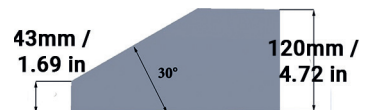
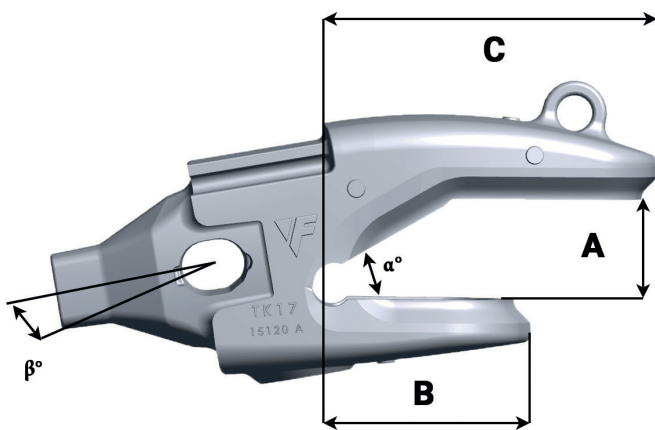
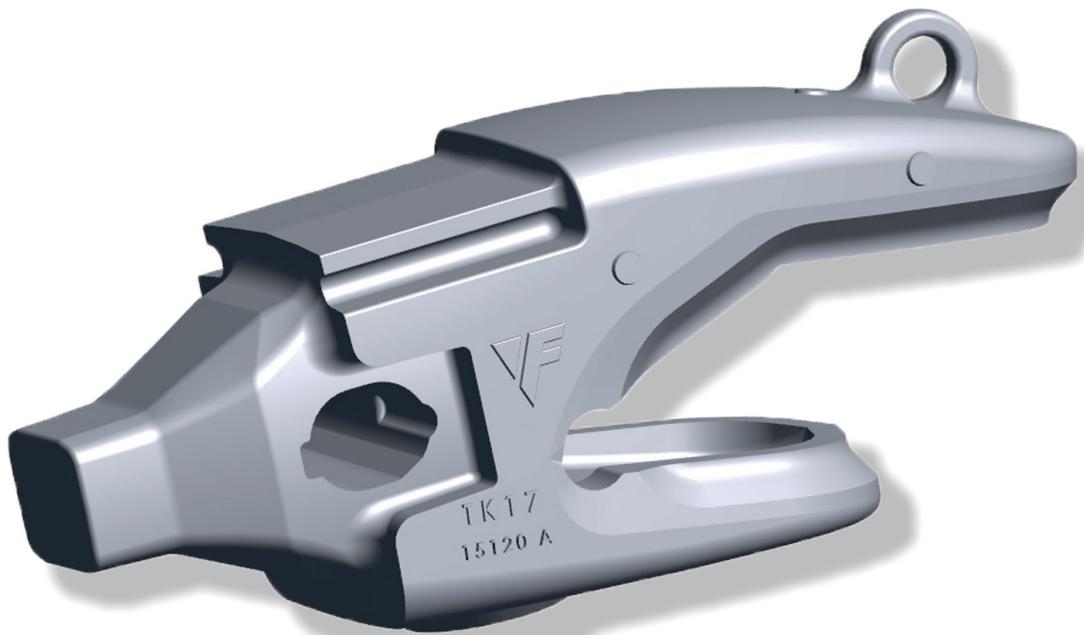




Bucket equipment  
for quarrying & mining

# TKN17 15120-A10°



Référence Part number	Poids Weight Kg/Lbs	A mm/in	B mm/in	C mm/in	L mm/in	$\alpha^\circ$	$\beta^\circ$
TKN17 15120- A10°	143 315.26	126 4.96	236 9.29	420 16.53	240 9.45	30°	10°

