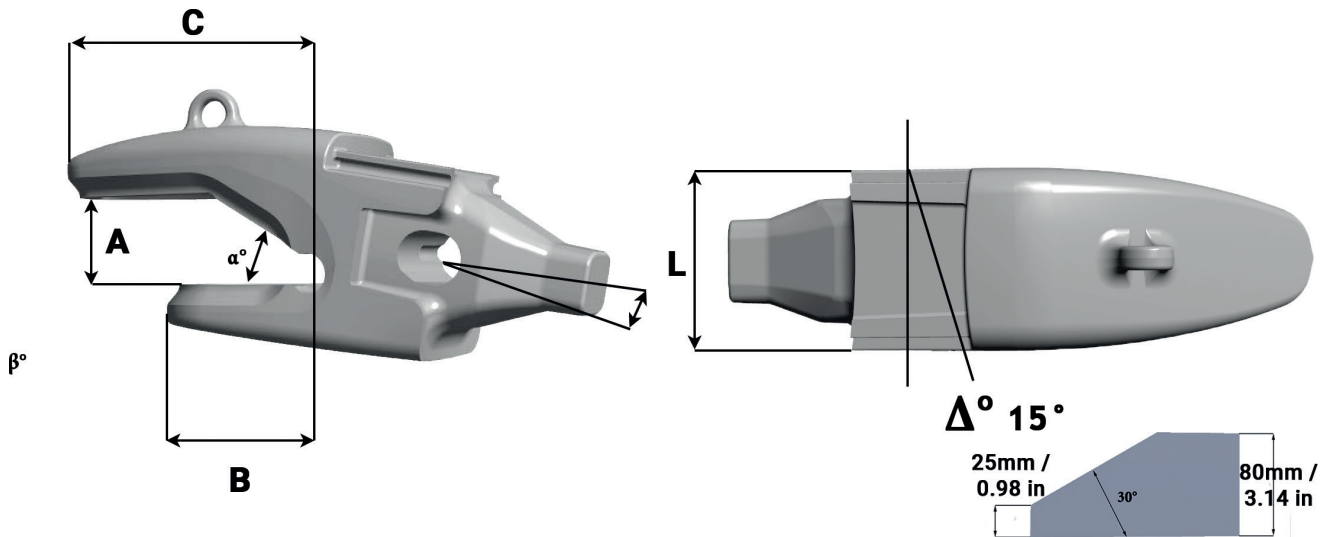




Bucket equipment
for quarrying & mining

TKN13 1880-A16° R



Référence Part number	Poids Weight Kg/Lbs	A mm/in	B mm/in	C mm/in	L mm/in	α°	β°
TKN13 1880- A16°R	77.3 170.42	84 3.31	245 9.65	365 14.37	190 7.48	30°	16°

