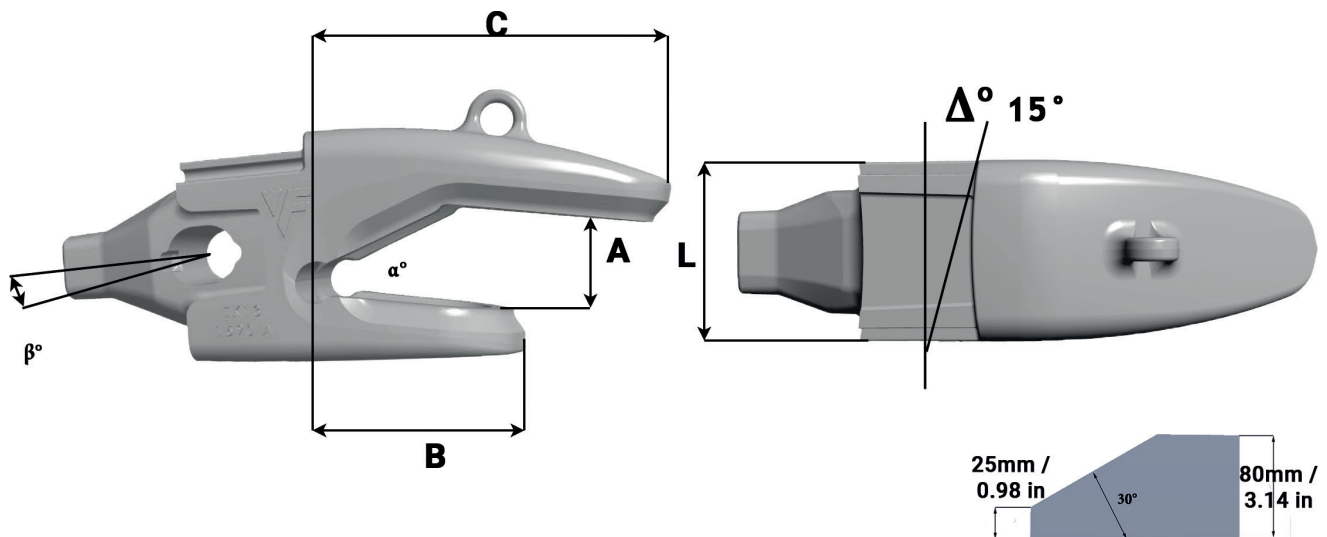




Bucket equipment  
for quarrying & mining

# TKN13 1880-A16 L°



Référence Part number	Poids Weight Kg/Lbs	A mm/in	B mm/in	C mm/in	L mm/in	$\alpha^\circ$	$\beta^\circ$
TKN13 1880- A16°L	77.3 170.42	84 3.31	245 9.65	365 14.37	190 7.48	30°	16°

