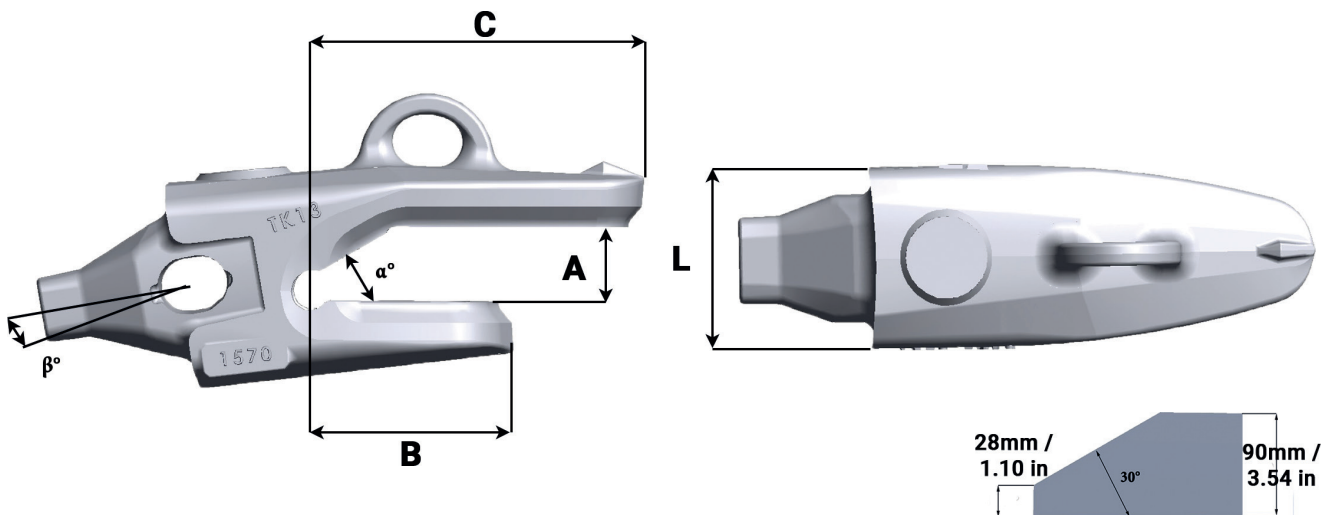
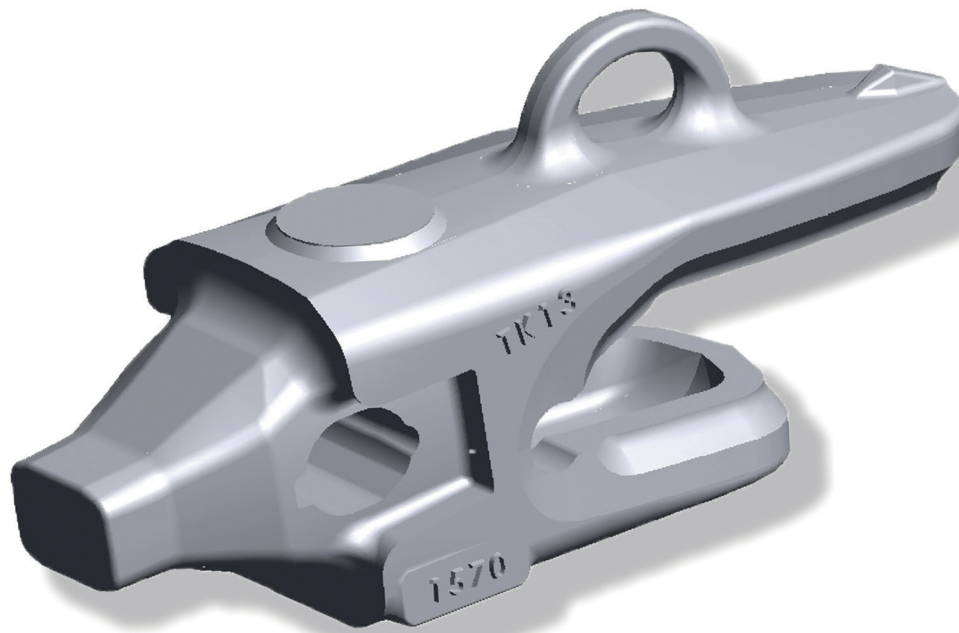




Bucket equipment  
for quarrying & mining

# TKN13 1590 STD



Référence Part number	Poids Weight Kg/Lbs	A mm/in	B mm/in	C mm/in	L mm/in	a°	β°
TKN13 1590 STD	59 130.07	95 3.74	200 7.87	330 12.99	182 7.17	30°	10°

