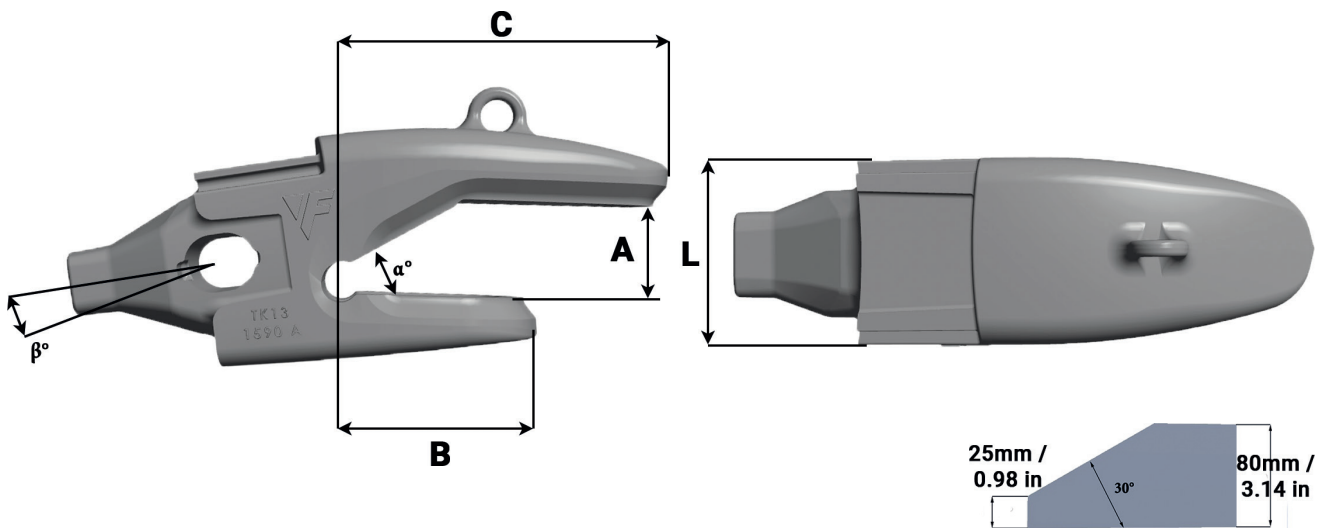




Bucket equipment  
for quarrying & mining

# TKN13 1580-A10°



Référence Part number	Poids Weight Kg/Lbs	A mm/in	B mm/in	C mm/in	L mm/in	a°	β°
TKN13 1580- A10°	70 154.32	83 3.27	193 7.6	330 12.99	190 7.48	30°	10°

