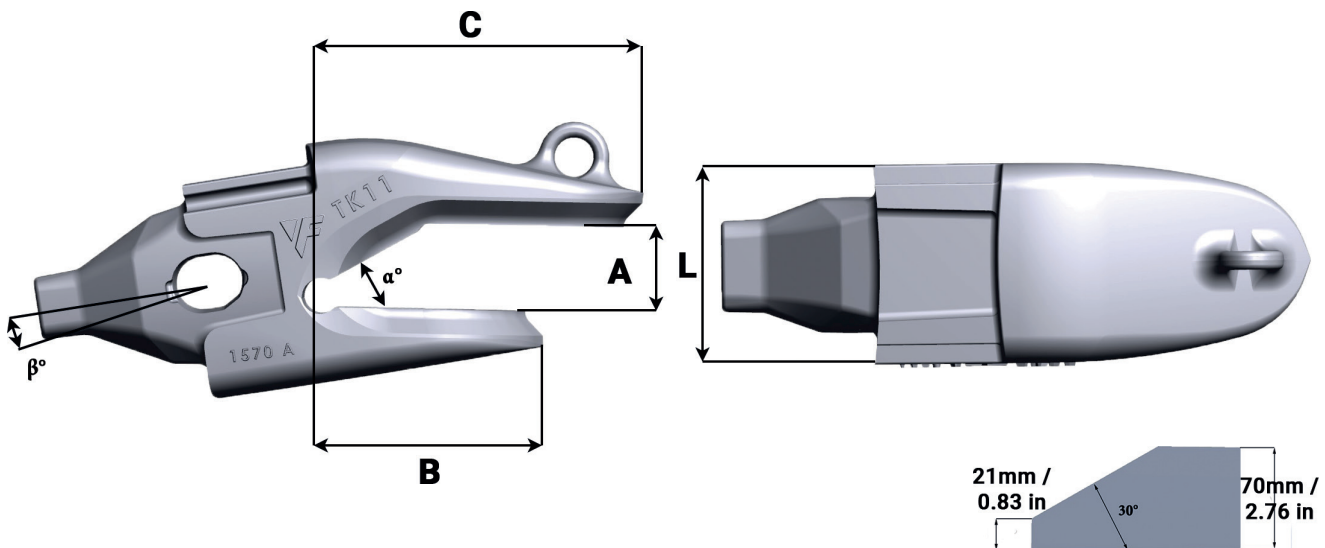




Bucket equipment
for quarrying & mining

TKN11 1570-A10°



Référence Part number	Poids Weight Kg/Lbs	A mm/in	B mm/in	C mm/in	L mm/in	a°	β°
TKN11 1570- A10°	45.5 100.31	72 2.83	178 7	275 10.82	170 6.69	30°	10°

