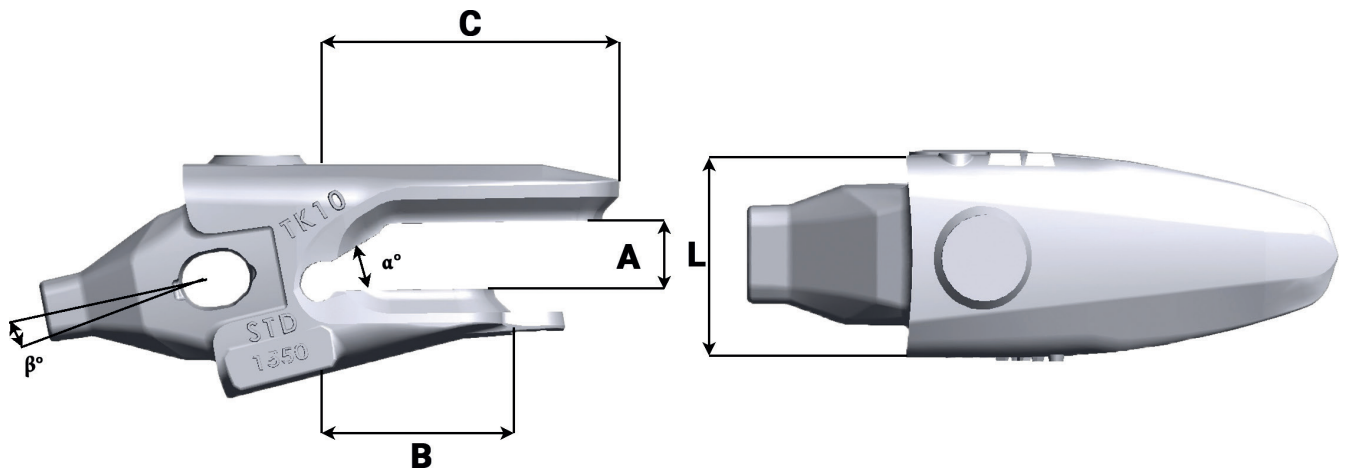
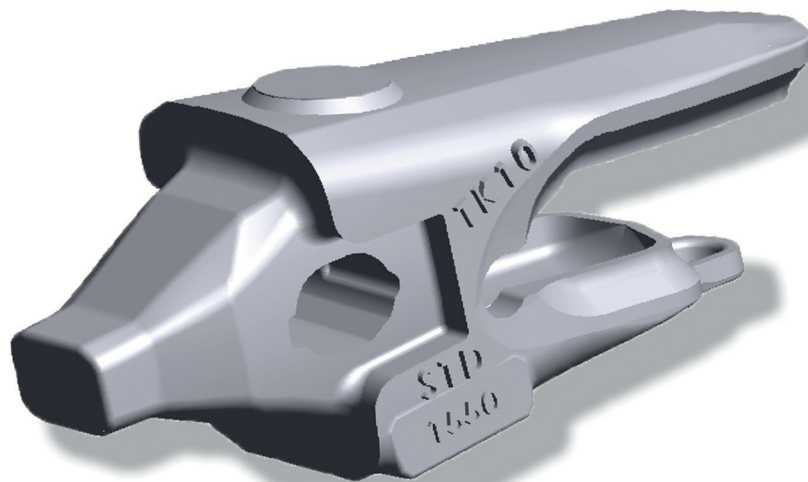




Bucket equipment
for quarrying & mining

TKN10 1550 STD



Epaisseur de lame
Blade Thickness
50mm / 1.96 in

Référence Part number	Poids Weight Kg/Lbs	A mm/in	B mm/in	C mm/in	L mm/in	α°	β°
TKN10 1550 STD	28.5 68.34	51 2.00	142 5.59	240 9.45	148 5.83	30°	10°

