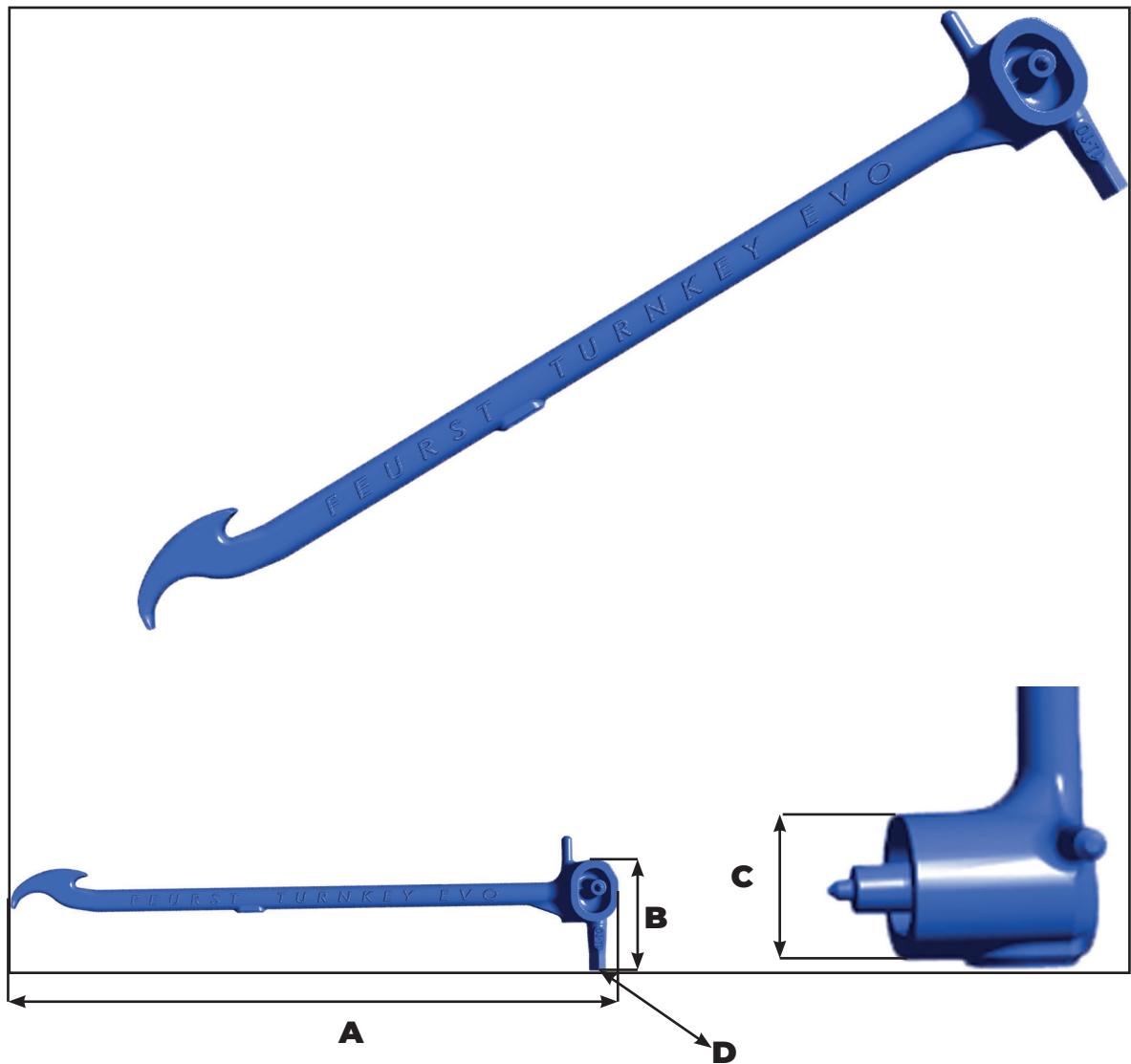




Bucket equipment
for quarrying & mining

OD TKN 13/15



Référence Part number	Poids Weight Kg/Lbs	A mm/in	B mm/in	C mm/in	D mm/in
OD TKN 13/15	2.4 5.29	600 23.62	106 4.17	46 1.81	12x12 mm / 0.47x0.47 in

