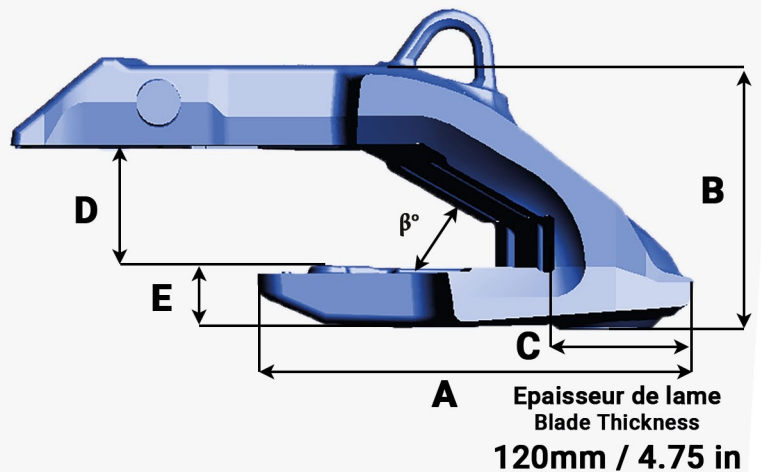
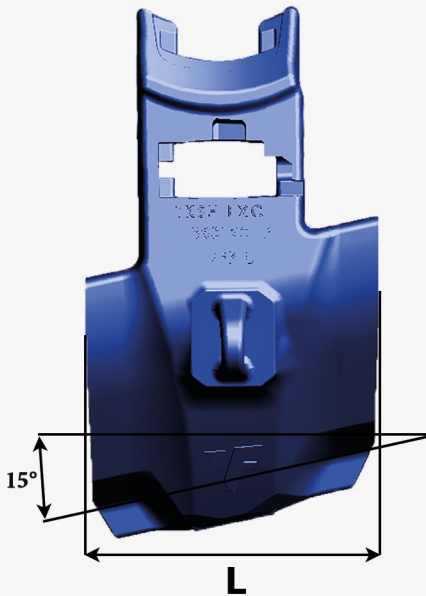
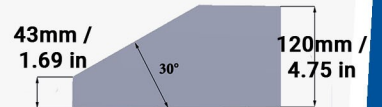


Fiche Produit / Reference sheet  
**TKSH EXC 380 120 R**

**Turnkey®**



Référence Part Number	Poids Weight (Kg/Lbs)	L (mm/in)	A (mm/in)	B (mm/in)	C (mm/in)	D (mm/in)	E (mm/in)	$\beta^\circ$
<b>TKSH EXC 380 120 R</b>	<b>123 271.17</b>	<b>380 14.96</b>	<b>430 16.93</b>	<b>257 10.12</b>	<b>144 5.67</b>	<b>124 4.88</b>	<b>55 2.16</b>	<b>30°</b>