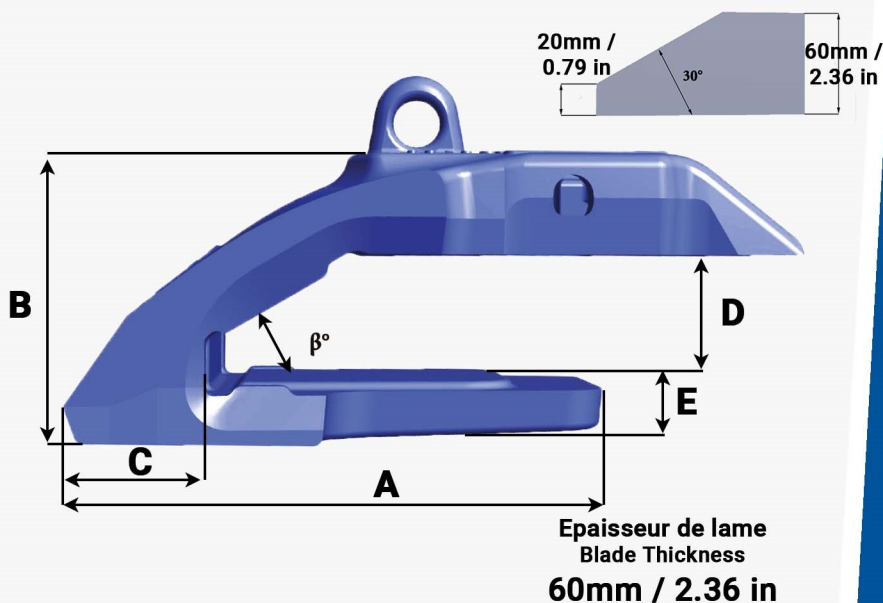


Fiche Produit / Reference sheet

TKSH EXC 240 60 C

Turnkey®



| Référence Part Number | Poids Weight (Kg/Lbs) | L (mm/in) | A (mm/in) | B (mm/in) | C (mm/in) | D (mm/in) | E (mm/in) | β° |
|--------------------------|-----------------------------|--------------|--------------|--------------|--------------|--------------|--------------|---------------|
| TKSH EXC 240 60 C | 30.5 67.24 | 240 9.44 | 275 10.83 | 156 6.14 | 64 2.52 | 66 2.59 | 30 1.18 | 30° |