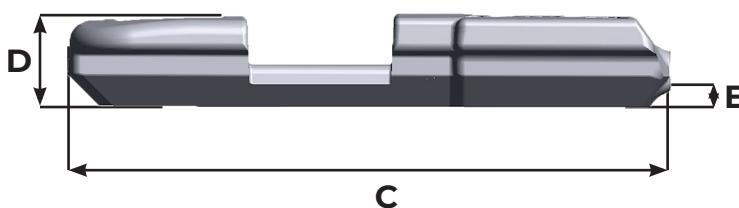
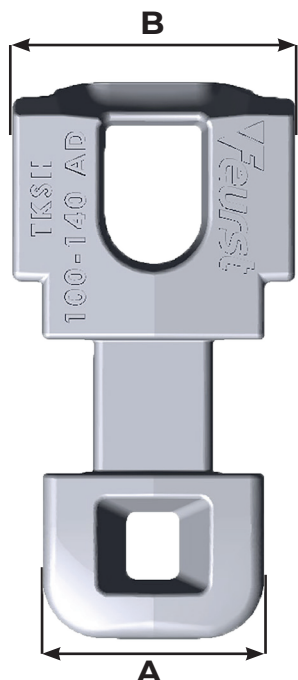
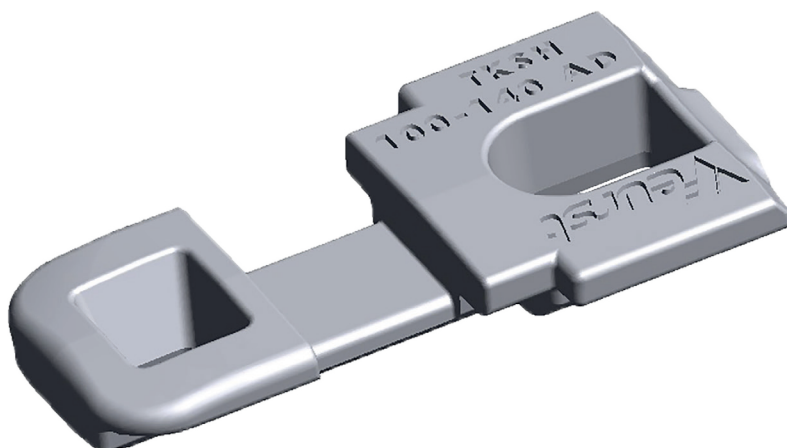




Bucket equipment
for quarrying & mining

TKSH AD 100/140



Référence Part number	Poids Weight Kg/Lbs	A mm/in	B mm/in	C mm/in	D mm/in	E mm/in
TKSH AD 100/140	4.5 9.92	114 4.49	146 5.75	280 11.02	35 1.38	7 0.28

