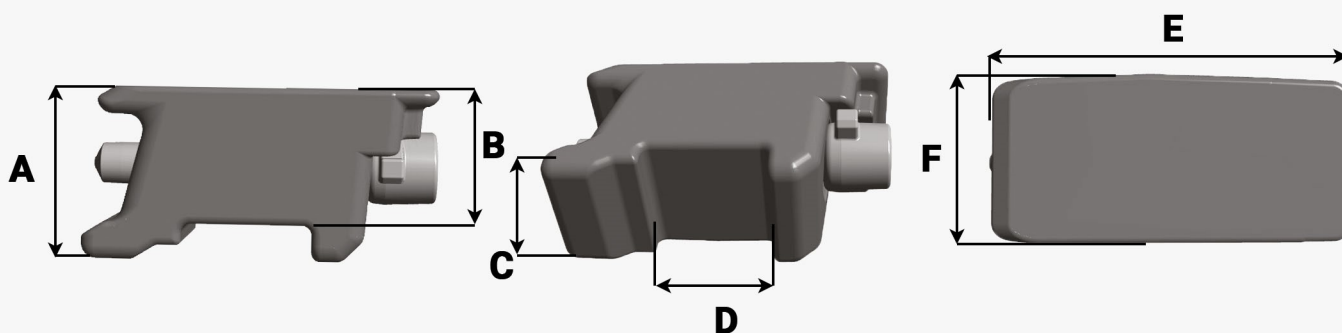
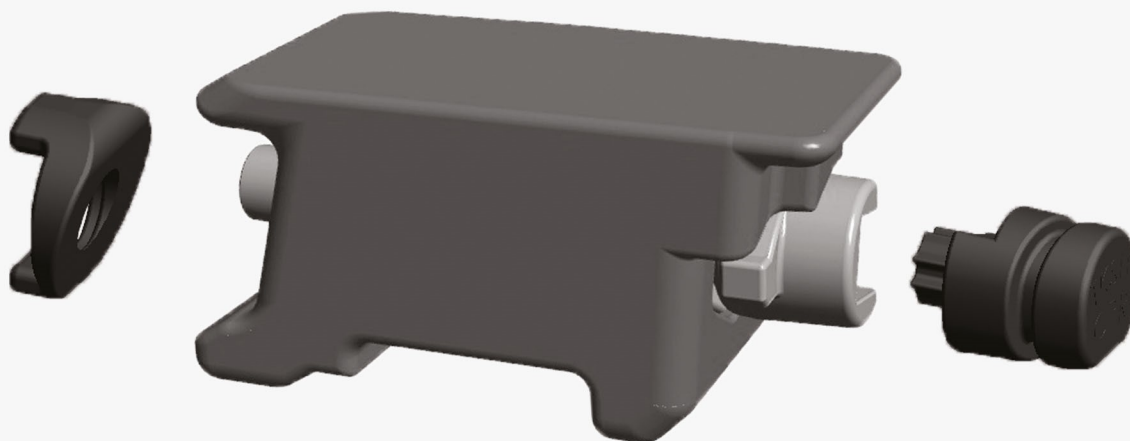


# TKSH 60/90 BLK

# Turnkey®



Référence Part Number	Poids Weight (Kg/Lbs)	A (mm/in)	B (mm/in)	C (mm/in)	D (mm/in)	E (mm/in)	F (mm/in)
TKSH 60/90 BLK	1.40 3.08	56.3 2.21	47.3 1.86	46.3 1.82	41.7 1.64	109 4.34	51 2